

AIR-750-P

COMMERCIAL POOL HEAT RECOVERY VENTILATOR



ENGINEERING DATA

PATENTED HEAT RECOVERY ALUMINUM CORES

Modular (2 section) patented aluminum heat recovery cores arranged for efficient counter-flow ventilation.

MOTORS AND BLOWERS

Two PSC, 3 speed single shafted motors. 120 VAC, 4.5 Amps each (9 Amps total on high speed). 1/4 HP, 1450 RPM. 1032 Watts on high speed. MCA: 22.5 MOP: 15.

Motors slide easily in / out of unit. Centrifugal type blowers, rated at 700 cfm (329 L/s) free air delivery.

CASE

Unit has front and back access doors. Electrical panel can be switched to either front or back, giving installer flexibility in duct direction. 20 gauge prepainted galvanized steel (G60) for superior corrosion resistance. Insulated with elastomeric insulation. Drain connections: two - 1/2" (12mm) O.D.

FILTERS

Washable MERV6 air filters in exhaust and supply airstreams. MERV8 or MERV13 options available.

MOUNTING

Unit to be set on support brackets hung by threaded rod type apparatus (brackets and rod not provided), or placed on vibrations isolation pads.

DEFROST

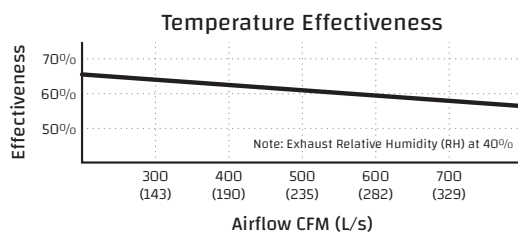
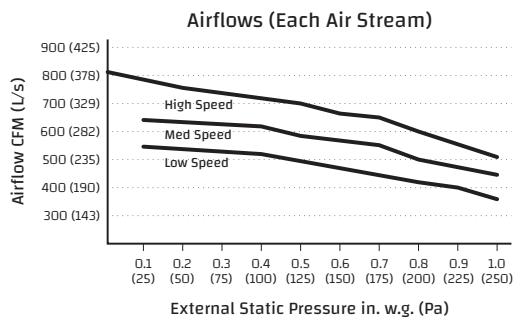
Supply bypass routes indoor air to defrost core.

ELECTRONICS

Integrated microprocessor circuit board. Built-in interlock contacts.

CONTROL OPTIONS

99-GBC02 Basic Control, 99-500 3 Speed Control, 99-DET01 20/40/60 Minute Timer, or 99-DET02 Wireless Timer (99-RX02 Repeater also available to extend range between wireless timer [DET02] and the main control).

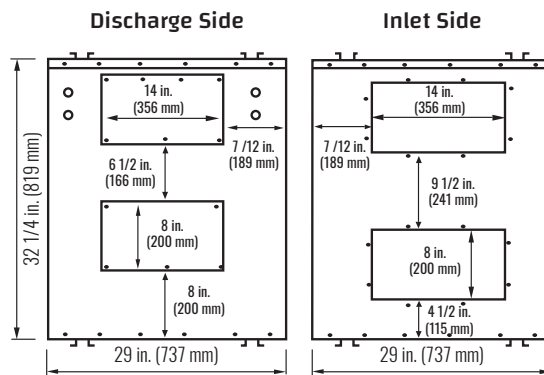
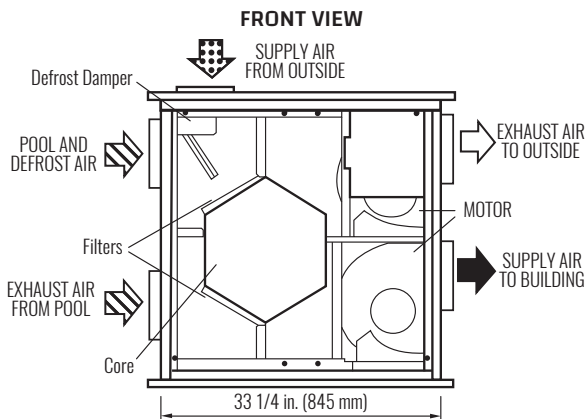


WEIGHT:
260 LBS (118 KG)
SHIPPING WEIGHT:
310 LBS (140.6 KG)

NOTE:
Front clearance of 25 in. (635 mm) is recommended for servicing unit.



DIMENSIONS



- Airflow:**
- ↔ Stale Air to Outside
 - ↕ Fresh Air from Outside
 - ↔ Stale Air from Inside
 - ➔ Fresh Air to Inside

Date: _____ Contractor: _____

Tag: _____ Supplier: _____

Project: _____ Qty: _____ Quote#: _____

Engineer: _____ Submitted By: _____

Control: _____ Timer: _____ Timer Qty: _____

WARRANTY
Units carry a 15 year warranty on the HRV core and a 2 year replacement parts warranty.

All units conform to CSA and UL standards



airflowiaq.com