

AIR-2850-EF

HEAT RECOVERY VENTILATOR



ENGINEERING DATA:

AIRFLOW

2000 CFM (940 L/s) at 1.0 in. w.g. ESP.

PERFORMANCE

65% effective at 2000 CFM (940 L/s).

CORES

Eight patented aluminum heat recovery cores arranged for efficient cross-flow ventilation.

BLOWERS

Two belt drive centrifugal blowers with adjustable pulleys, one per air stream.

FILTERS

Two 16 in. x 25 in. x 2 in. (406 mm x 635 mm x 50 mm) pleated filters in each air stream. MERV 8 efficiency.

CONNECTION DUCT SIZES

Two 20 in. x 19 in. (508 mm x 482 mm) hoods included with washable screens. Two 25 in. x 16 in. (635 mm x 406 mm) connections to and from building under cabinet.

CABINET

20 gauge powder coated steel for superior corrosion resistance. Unit includes metal lined sides and roof panels with 1 in. fiberglass insulation.

DRAIN

Two powder coated galvanized steel drain pans with 1/2 in. (12 mm) O.D. drain connections.

MOUNTING

Rooftop mounted on optional curb (Part No. 53-2007).

ELECTRONICS

Integrated microprocessor board.

DEFROST

Factory set defrost time. Supply motor is shut off while exhaust air defrosts core.

VOLTAGE OPTIONS:

VOLTAGE	PHASE	MOTOR	AMPS	MCA	MOP	SKU
208	1	Two ODP, 2.0 hp, single shaft, single speed	20.8	26	30	AIR-2850-EF-208SP*
240	1	Two ODP, 2.0 hp, single shaft, single speed	18	22.5	30	AIR-2850-EF
208	3	Two ODP, 2.0 hp, single shaft, single speed	5.9	14.75	20	AIR-2850-EF-208*
460	3	Two TEFC, 1.5 hp, single shaft, single speed	5.2	6.5	8	AIR-2850-EF-460*
575	3	Two TEFC, 1.5 hp, single shaft, single speed	4	4.5	6	AIR-2850-EF-575*

*Special Inspection is required

CONTROLS

99-GBC02 - Airflow Ventilation Control

Humidity control through adjustable Dehumidistat. Compatible with 99-DET02 Wireless Timers. 3 wire connection; 20 gauge wire (minimum).

TIMER OPTIONS

99-DET01 - Airflow 20/40/60 Minute Timer

Initiates high speed ventilation for 20, 40 or 60 minutes. 3 wire connection.

99-DET02 - Wireless Airflow 20/40/60 Minute Timer

Initiates high speed ventilation for 20, 40 or 60 minutes. Wirelessly connects to main control for ease of installation. 40' approximate range.

99-RX02 - Wireless Airflow Repeater

Extends range of 99-DET02 Wireless Timers. Plugs into 120V power outlet. Wirelessly connects to main control and 99-DET02. Install at halfway point between timer and main wall control if timer is out of range.



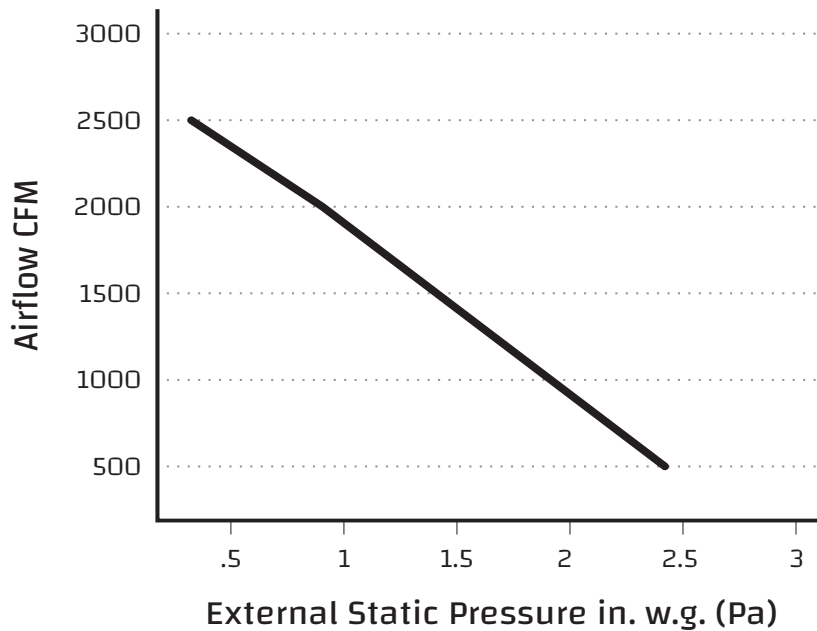
airflowiaq.com

AIR-2850-EF

HEAT RECOVERY VENTILATOR



Airflow Performance



**ISO
9001
REGISTERED**

WEIGHT:
770 LBS (350 KG)

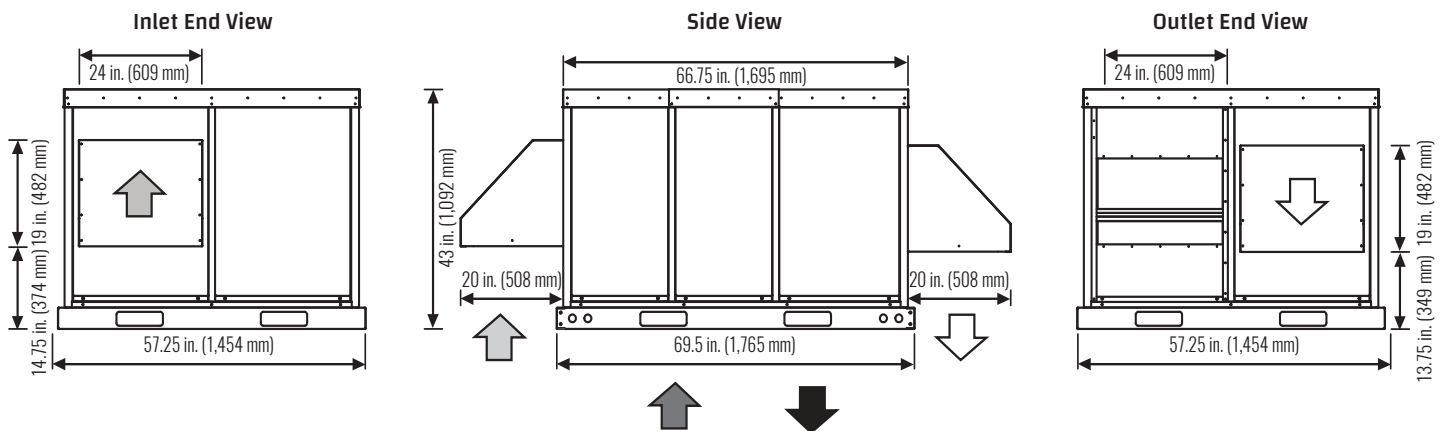
SHIPPING WEIGHT:
910 LBS (410 KG)

NOTE:
Service clearance is 30 in. All specifications are subject to change without notice.

DIMENSIONS

Airflow:

- ⇨ Stale Air to Outside
- ⇨ Fresh Air from Outside
- ⇨ Stale Air from Inside
- ⇨ Fresh Air to Inside



Date: _____ Contractor: _____

Tag: _____ Supplier: _____

Project: _____ Qty: _____ Quote #: _____

Engineer: _____ Submitted By: _____

Control: _____ Timer: _____ Timer Qty: _____

WARRANTY

Units carry a 15 year warranty on the HRV core and a 2 year replacement parts warranty.

All units conform to CSA and UL standards



airflowiaq.com